

## DATASHEET

MODEL: **ZENITH Bi350**

350W TUNABLE WHITE 2900K ~ 5800K

*Built-in power supply: direct AC or battery*

*Motorized beam control 15° to 55°*

*Compact size: L.41 cm Ø 21 cm / L.16" Ø 8.5"*

*Lightweight: 17 lbs / 8 kg*

*Touchscreen user interface + rotary encoders and CPU*

### MAIN FEATURES

350W Dual Channel COB LED

DMX 512 control, RDM Ready

CRI: minimum 95, typical 97

LED lifespan > 30,000 hours

USB input for firmware upgrades

AC-DC "hot swap" capability

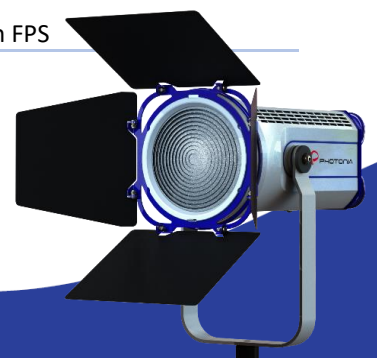
Silent operation

4 selectable dimming curves, from linear to logarithmic

### FULL SPECIFICATIONS

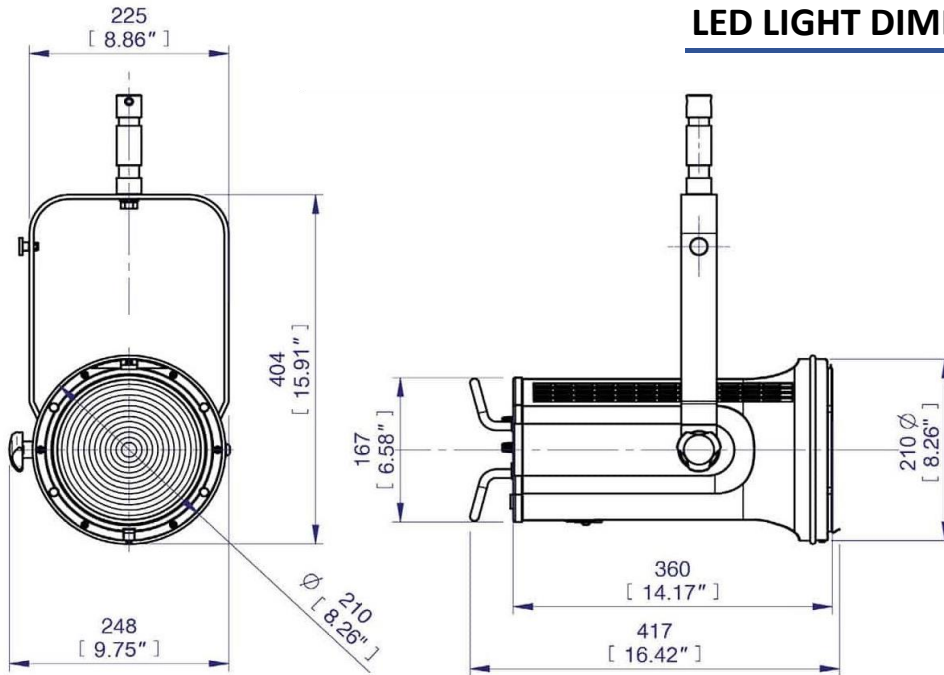
|                   |                           |                  |                         |
|-------------------|---------------------------|------------------|-------------------------|
| Lens type         | Glass Fresnel 175mm       | Weight           | 8 kg (17 lbs)           |
| Beam adj. system  | Stepper motor             | Stand Mount      | 16mm + 28mm (universal) |
| Beam Angle        | 15° to 55° (half peak)    | AC Connection    | PowerCon                |
| Power supply      | Built-in, universal       | DC Power Supply  | 26 to 48V, 15A max      |
| AC Power supply   | 100-240V                  | DMX Connection   | 5-pin IN + OUT          |
| Power consumption | 350W                      | Dimming          | 0,1% - 100% continuous  |
| LED Efficiency    | >100 lumens/watt          | Ambient temp.    | up to 35°C (95°F)       |
| Cooling           | Active, Silent Fan        | Case Color       | Silver or Black         |
| CCT               | 2900K-5800K Tunable White | Special features | Touchscreen UI          |
| Color accuracy    | Very high (2-step)        | Flicker-free     | High FPS                |

Note: specifications are subject to change without prior notice



MADE IN ITALY

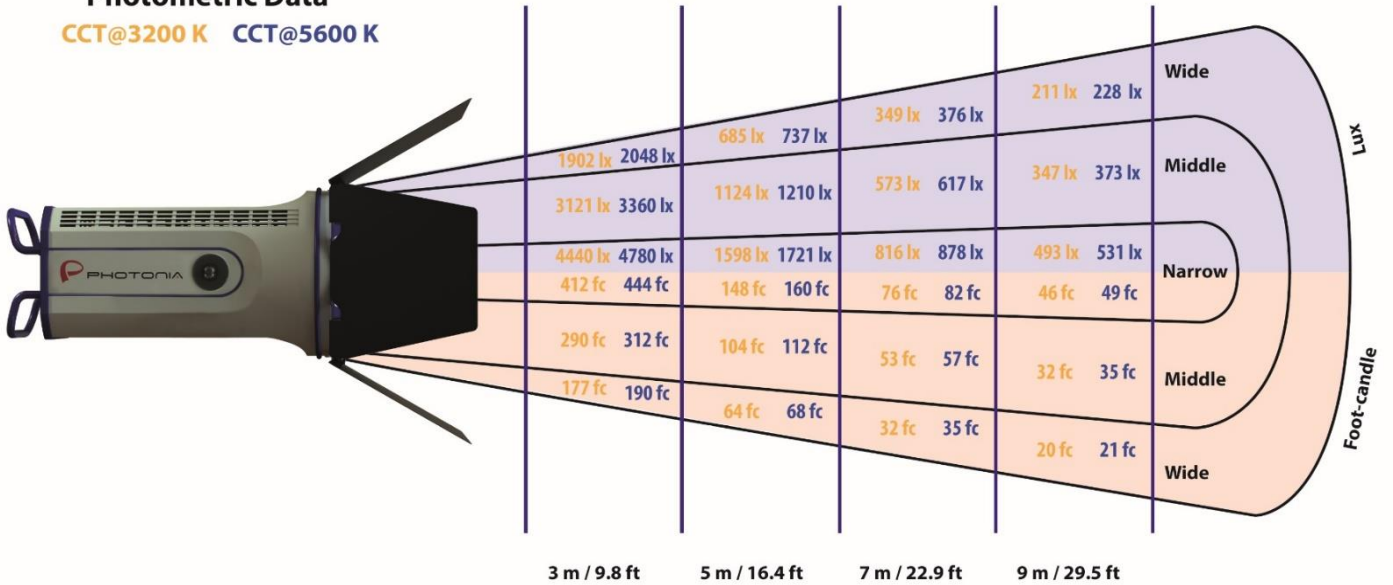
**LED LIGHT DIMENSIONS**



**PHOTOMETRIC DATA**

**Photometric Data**

CCT@3200 K CCT@5600 K



**MADE IN ITALY**

